



# Gas & Flame Detection

## Enclosure

Size	185 × 157 × 67 mm (W x H x D)
Material	ABS
Mounting	By DIN Rail supplied
Cable entries	3 cable-glands M20 (outer diameter 5.5 to 12 mm) 1 cable-glands M16 (outer diameter 4 to 8 mm)
Protection	IP31

## Power supply

Voltage	230 or 115 VAC and 21 to 30 VDC (nominal 24 VDC)
Consumption	20 VA

## Operating temperature

-10 to +45°C

## Cabling

Sensors	1 flammable gas detector OLC 10 or 2 detectors OLC 10 TWIN for detection of methane, butane, propane in boiler rooms and LPG, Natural Gas for Vehicles or H <sub>2</sub> in car parks 1 flammable gas transmitter OLCT 10 for detection of methane, butane, propane in boiler rooms and LPG, Natural Gas for Vehicles or H <sub>2</sub> in car parks 1 to 5 similar detectors type OLCT 10 for detection of CO, NO, NO <sub>2</sub> in car parks for example
Maximum cable length	OLC 10 (flammable only): 3-wire, shielded, core size 1 to 1.5 mm <sup>2</sup> , 300 m max OLC 10 TWIN (flammable only): 4-wire, shielded, core size 1 to 1.5 mm <sup>2</sup> , 300 m max OLCT 10 (flammable or SC): 3-wire, shielded, core size 1 to 1.5 mm <sup>2</sup> , 1 Km max OLCT 10 (toxic): 2-wire, shielded, core size 0.75 to 1.5 mm <sup>2</sup> , 4 Km max

## Display

Type	Liquid Crystal Display, 4 digits and extra friendly symbols
Visual indications	4 DELs. Green: power on, Red: alarms triggered, Orange: failure
Gas and unit	Selectable in a programmed list 3 keys for access to main menu, test or acknowledgement 1: Enter / Menu, 2: - / test indicator, 3: + / acknowledgement
ALARMS & RELAY	2 programmable and independent levels, falling or increasing alarms, latching or unlatching modes, local or remote acknowledgment 2 alarm relays normally energized, selectable normally open or normally closed (de-energized on request at the factory) 1 fault relay, normally energized Relay ratings : 2A at 250 Volts AC or 30 Volts DC

## Approvals

ATEX 94/9/CE Directive	Category 3G (flammable gas detection metrology EN 61779-1 and EN 61779-4)
Low Voltage Directive	EN 61010 : 10
Electromagnetic Compatibility (EEC directive)	EN 50270 : 06 (Types 1 and 2)

# 3M™ Oldham™ MX 15

## Single Channel controller

## Presentation

Designed for use in boiler rooms and Car parks, the control unit MX 15 is perfectly suitable for the protection of your equipment and personnel in atmospheres which may contain flammable and toxic gases. Easy to install and operate, the MX 15 combined with the OLC(T) 10 range of detectors meet French and European demanding user requirements.



## Features

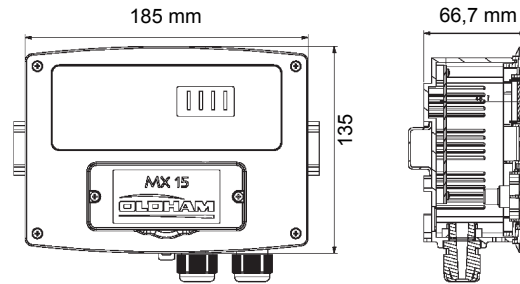
- On-board display
- DIN rail mounting provided
- 2 fully programmable alarms
- 3 on-board relay



# 3M™ Oldham™ MX15

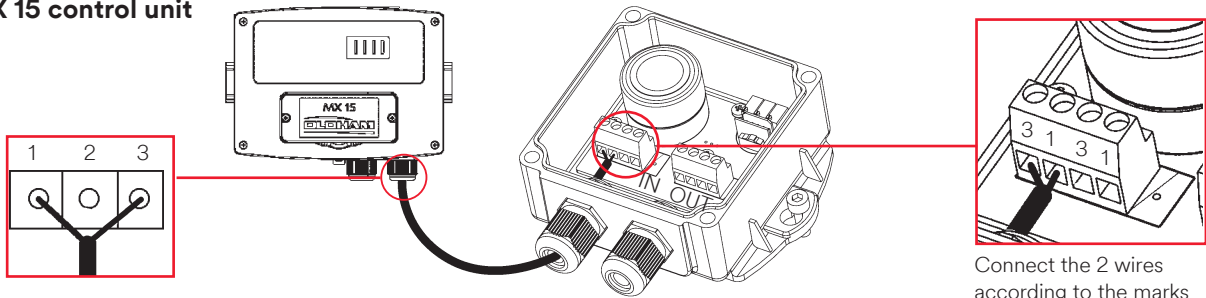
Single Channel controller

## Dimensions

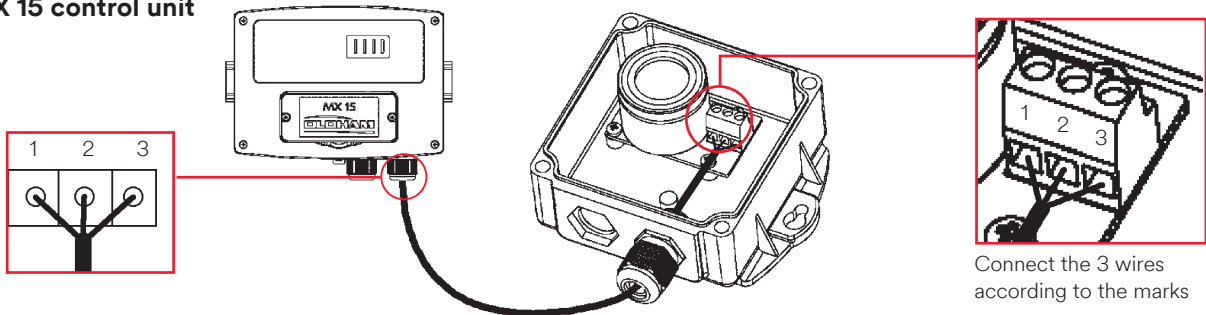


## Wiring connection between OLCT 10 (toxic) and MX 15 control unit

MX 15 control unit



MX 15 control unit



As an ISO 9001 & ISO 14001 approved company, OLDHAM quality assurance programmes demand the continuous assessment and improvement of all OLDHAM products. Information in this leaflet could thus change without notification and does not constitute a product specification. Please contact OLDHAM or their representative if you require more details.

**AMERICAS - Texas (USA)**  
4055 Technology Forest Blvd.  
The Woodlands, TX 77381  
Tel.: +1-800-247-7257  
Fax: +1-281-292-2860

**EMEA**  
ZI Est, Rue Orfila,  
CS 20417  
62027 ARRAS CEDEX, France  
Tel.: +33-3-21-60-80-80  
Fax: +33-3-21-60-80-00

**ASIA PACIFIC**  
290 Guiqiao Road  
Pudong, Shanghai 201206  
People's Republic of China  
Tel.: +86-21-3127-6373  
Fax: +86-21-3127-6365

